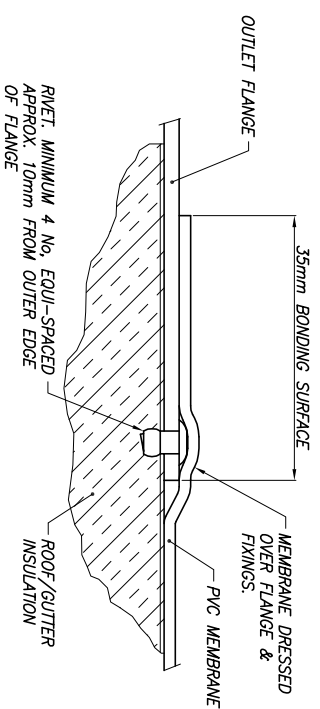


OUTLET MAY BE SUPPLIED WITH PRE-APPLIED MEMBRANE RING BONDED TO OUTLET FLANGE.
RING DIMENSIONS:- 165mm I.D. x 300mm O.D



OUTLET FIXING DETAIL
SCALE 1:1

THIS DRAWING AND DETAILS CONTAINED WITHIN ARE COPYRIGHT OF G.R.&R.ROSS LTD.
REPRODUCTION OR USE IS PROHIBITED WITHOUT WRITTEN PERMISSION.

* ITEMS SUPPLIED BY OTHERS

Item	Description	Qty	Part No
1	Hydromax Outlet, Mild Steel (PVC Coated)	1	RMS303
2	Inductor	1	SP1
3	Stub Connector, HDPE	1	FO4CE0700
4	Gasket, Neoprene (3mm thk)	1	FO4GF0700
5	Hex HD Set Screw M6 x 30, Grade 8.8 (BZP)	4	-
6	Full Nut, M6, Grade 8 (BZP)	4	-
7	Washer, M6 (BZP)	10	-
8	Button HD Cap Screw, M6 x 25 (Stainless Steel)	2	-
9	Rivet (or suitable alternative)	4	-



ROSS ADT
30 BYRON STREET, DUNDEE DD3 6QX
Tel 01382 825050 Fax 01382 825100
e-mail info@rossadl.com

Drawn By	Date
AD303	

Scale	Rev	DATE
SCALE	00	

Drawing Title

HYDROMAX OUTLET INSTALLATION DETAIL:-
PVC-BASED MEMBRANES