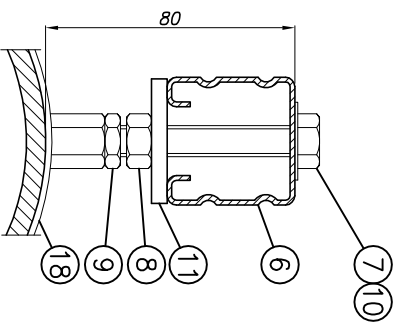
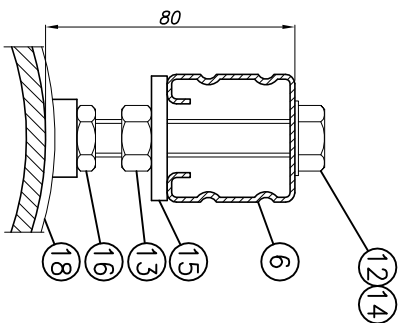


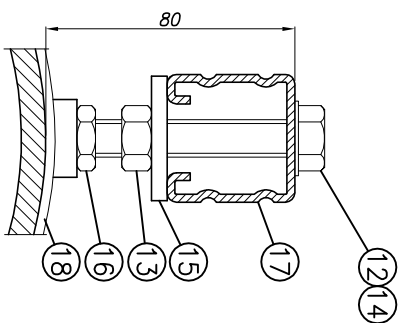
HDPE PIPE, ø400 – ø1225



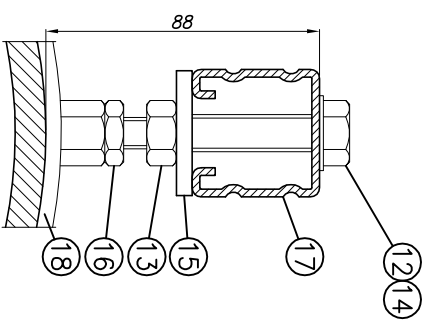
HDPE PIPE, ø160



HDPE PIPE, ø200



HDPE PIPE, ø250



HDPE PIPE, ø315

THIS DRAWING AND DETAILS CONTAINED WITHIN ARE COPYRIGHT OF G.R.&R.ROSS LTD.  
REPRODUCTION OR USE IS PROHIBITED WITHOUT WRITTEN PERMISSION.

Item	Description	Qty	Part No	Item	Description	Qty	Part No
1	Channel support system (Galv) 41/21/1.5	-	-	11	Square Washer, M10 (BZP)	-	-
2	Hex Hd Set Screw, M8 x 80, Grade 8.8 (BZP)	-	-	12	Hex Hd Set Screw, M12 x 80, Grade 8.8 (BZP)	-	-
3	Full Nut, M8, Grade 8 (BZP)	-	-	13	Full Nut, M12, Grade 8 (BZP)	-	-
4	Repair Washer, M8 (BZP)	-	-	14	Plain Washer, M12 (BZP)	-	-
5	Square Washer, M8 (Galv)	-	-	15	Square Washer, M12 (BZP)	-	-
6	Channel support system (Galv) 41/41/1.5	-	-	16	Lock Nut, M12, Grade 8 (BZP)	-	-
7	Hex Hd Set Screw, M10 x 70, Grade 8.8 (BZP)	-	-	17	Channel support system (Galv) 41/41/2.5	-	-
8	Full Nut, M10, Grade 8 (BZP)	-	-	18	Pipe Clip (Galv) to suit pipe diameter	-	-
9	Lock Nut, M10, Grade 8 (BZP)	-	-				
10	Repair Washer, M10 (BZP)	-	-				



ROSS ADT  
30 BYRON STREET, DUNDEE DD3 6DX  
Tel 01382 825050 Fax 01382 825100  
e-mail info@rossad.com

Drawn By	W Jackson	Date	01/04/04
Scale	1:2	Rev	01
Drawing No	AD500		

Drawing Title  
**TYPICAL FIXING DETAIL: HDPE PIPE TO CONTINUOUS RAIL SUPPORT SYSTEM**