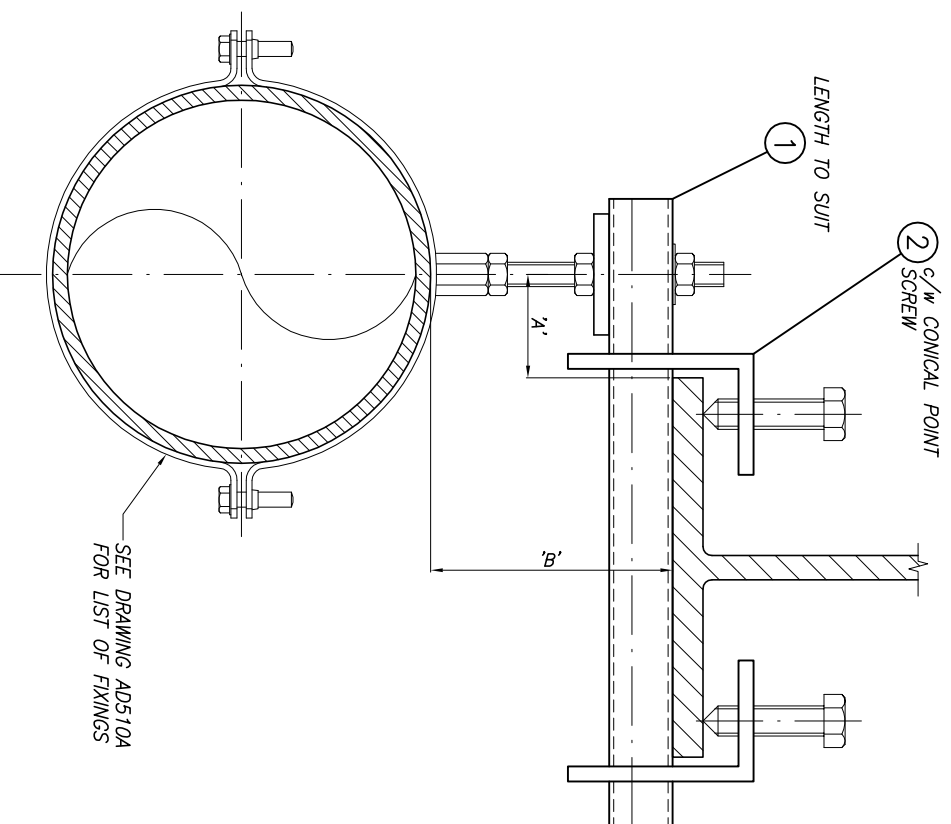


ALTERNATIVE ARRANGEMENT  
(DOWNPIPE BETWEEN FLANGES)



PIPE O/D mm	'A' mm	'B' mm	'B1' mm	'C' mm
40	35	65	55	900
50	35	65	55	900
56	35	65	55	900
63	35	65	55	900
75	35	65	55	900
90	35	65	55	900
110	35	65	55	1200
125	35	65	55	1200
160	35	80	55	1500
200	35	80	55	1200
250	35	80	55	1200
315	35	90	55	1200

A, B & B1: ALL MINIMUM DIMENSIONS  
DIMENSION C: MAXIMUM VERTICAL DISTANCE  
BETWEEN UNISTRUT BRACKETS

THIS DRAWING AND DETAILS CONTAINED WITHIN ARE COPYRIGHT OF G.R.&R.ROSS LTD.  
REPRODUCTION OR USE IS PROHIBITED WITHOUT WRITTEN PERMISSION.

Item	Description	Qty	Part No
1	Bracket (Unstrut, galv) 41/21/1.5	-	-
2	Window Bracket (Galv)	-	-

 <p>ROSS ADT 30 BYRON STREET, DUNDEE DD3 6GX Tel 01382 825050, Fax 01382 825100 e-mail: info@rossad.com</p>	<p>Drawn By <b>W Jackson</b></p> <p>Scale n.t.s.</p> <p>Drawing No <b>AD510</b></p>	<p>Date <b>01/06/04</b></p> <p>Rev <b>00</b></p>
	<p>TYPICAL FIXING DETAIL: HDPE DOWNPIPE TO MAIN STEELWORK (CANTILEVER)</p>	