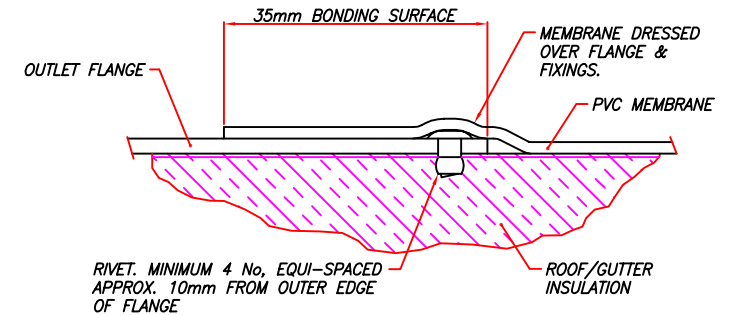


OUTLET MAY BE SUPPLIED WITH PRE-APPLIED MEMBRANE RING BONDED TO OUTLET FLANGE.
RING DIMENSIONS:- 165mm I.D. x 300mm O.D / Square



OUTLET FIXING DETAIL

SCALE 1:1

* ITEMS SUPPLIED BY OTHERS

THIS DRAWING AND DETAILS CONTAINED WITHIN ARE COPYRIGHT OF HYDROMAX INC. REPRODUCTION OR USE IS PROHIBITED WITHOUT WRITTEN PERMISSION.

Item	Description	Qty	Part No	Item	Description	Qty	Part No	Drawn By	Date
1	Hydromax Outlet, Mild Steel (PVC Coated)	1	75PDMS028	11	Gasket, Neoprene	1	-	JMC	19/01/12
2	Inductor	1	SP1					Scale	Rev
3	Stub Connector, HDPE	1	F04CE0700					1:2	00
4	Gasket, Neoprene (3mm thk)	1	F04GF0700					Drawing No	
5	Hex Hd Set Screw, M6 x 30, Grade 8.8 (BZP)	4	-					75POMS028	
6	Full Nut, M6, Grade 8 (BZP)	4	-					Drawing Title	
7	Washer, M6 (BZP)	10	-					HYDROMAXOVERFLOW OUTLET INSTALLATION	
8	Button Hd Cap Screw, M6 x 25 (Stainless Steel)	2	-					DETAIL - PVC-BASED MEMBRANES	
9	Rivet (or suitable alternative)	4	-						
10	High-modulus Sealant	1	-						

