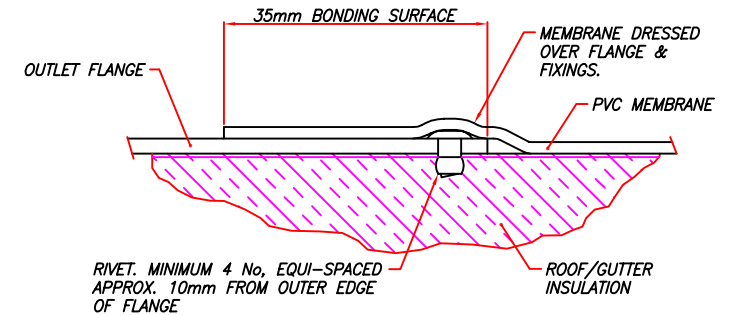


OUTLET MAY BE SUPPLIED WITH PRE-APPLIED MEMBRANE RING BONDED TO OUTLET FLANGE.
RING DIMENSIONS:- 165mm I.D. x 300mm O.D / Square



OUTLET FIXING DETAIL

SCALE 1:1

* ITEMS SUPPLIED BY OTHERS

THIS DRAWING AND DETAILS CONTAINED WITHIN ARE COPYRIGHT OF HYDROMAX INC.
REPRODUCTION OR USE IS PROHIBITED WITHOUT WRITTEN PERMISSION.

Item	Description	Qty	Part No
1	Hydromax Outlet, Mild Steel (PVC Coated)	1	75PDMS027
2	Inductor	1	SP1
3	Stub Connector, HDPE	1	F04CE0700
4	Gasket, Neoprene (3mm thk)	1	F04GF0700
5	Hex Hd Set Screw, M6 x 30, Grade 8.8 (BZP)	4	-
6	Full Nut, M6, Grade 8 (BZP)	4	-
7	Washer, M6 (BZP)	10	-
8	Button Hd Cap Screw, M6 x 25 (Stainless Steel)	2	-
9	Rivet (or suitable alternative)	4	-

	Drawn By	Date
	JMC	19/01/12
	Scale	Rev
	1:2	00
Drawing No		75PDMS027
Drawing Title		
HYDROMAX OUTLET INSTALLATION DETAIL:- PVC-BASED MEMBRANES		