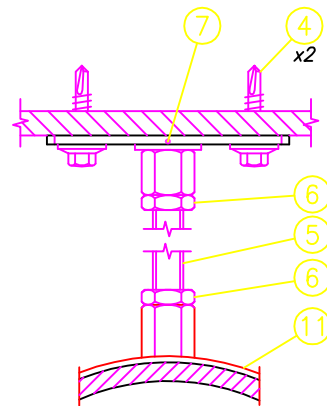
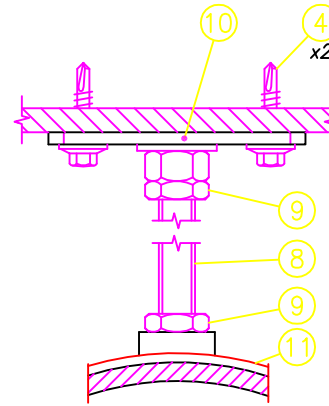


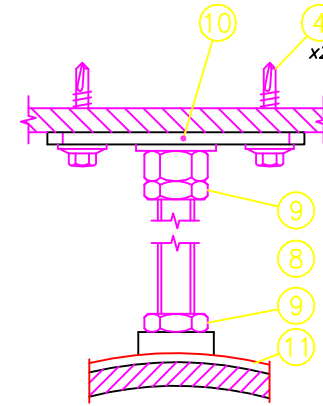
HDPE PIPE, ø40 – ø125



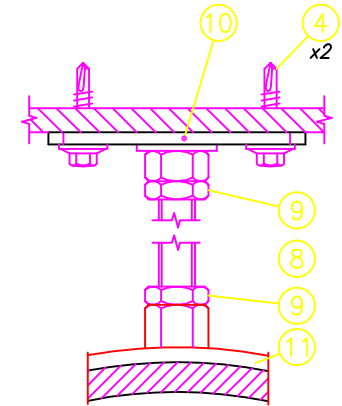
HDPE PIPE, ø160



HDPE PIPE, ø200



HDPE PIPE, ø250



HDPE PIPE, ø315

THIS DRAWING AND DETAILS CONTAINED WITHIN ARE COPYRIGHT OF HYDROMAX INC. REPRODUCTION OR USE IS PROHIBITED WITHOUT WRITTEN PERMISSION.

Item	Description	Qty	Part No	Item	Description	Qty	Part No
1	Threaded Rod, M8 (BZP)	-	-	11	Pipe Clip (Galv) to suit pipe diameter	-	-
2	Full Nut, M8, Grade 8 (BZP)	-	-				
3	Backplate, M8 (BZP)	-	-				
4	Self-drilling/tapping (Tek) Screw	-	-				
5	Threaded Rod, M10 (BZP)	-	-				
6	Lock Nut, M10, Grade 8.8 (BZP)	-	-				
7	Backplate, M10 (BZP)	-	-				
8	Threaded Rod, M12 (BZP)	-	-				
9	Lock Nut, M12, Grade 8.8 (BZP)	-	-				
10	Backplate, M12 (BZP)	-	-				



Drawn By	Date
W Jackson	06/02/06
Scale	Rev
n.t.s.	00
Drawing No	
AD512A	

Drawing Title  
 TYPICAL FIXING DETAIL; HDPE DOWNPIPE TO MAIN STEELWORK (BACKPLATE, BRACKETRY)